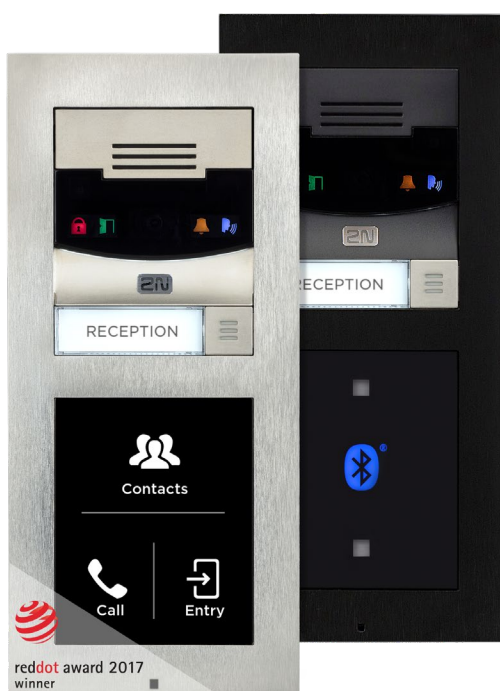


2N® IP Verso

The 2N® IP Verso security intercom is configurable to your needs thanks to its modularity. It provides reliable access control and allows you to easily interface with other systems. Now also in black, with a fingerprint reader, Bluetooth module, or touch display.



Offices and office buildings
Residential complexes
Family houses
Schools and campuses

State administration public buildings
Home Automation
Hotels

Bluetooth technology

Get the latest technology in access systems. The Bluetooth module lets you eliminate access codes, entry cards, and key distribution.

Touchscreen

Create an intuitive and structured contact list similar to that in your mobile phone. It is water resistant, vandal resistant and easy to read even in direct sunlight.

Camera with night vision

See who is standing in front of your door, even in total darkness. Moreover, the camera is hidden from normal view. The intruder has no clue they're being monitored.

2N® IP Verso

FEATURES & BENEFITS

Adjustable door security levels

Make use of different security modes with the 2N® Mobile Key application, which allows you to adjust the functioning distance from the Bluetooth module.

Intuitive controls and search

The touchscreen has all the functions of a mechanical keyboard. Discover its luxury design and intuitive controls and search.

Access control

Achieve a greater level of security for all those at its location. 2N® IP Verso makes it easy to prevent the entry of unauthorized persons.

Modularity

The modularity of this IP Intercom allows you to configure it to your requirements. Select the specific module, accessories and configurable functions.

SIP support with no server needed

SIP protocol support makes it easy to link the intercom with IP phones and PBX from other producers, without having to connect to the server.

Security relay

This simple additional device prevents intrusion by detecting any unauthorized manipulation of the electronic locking system.

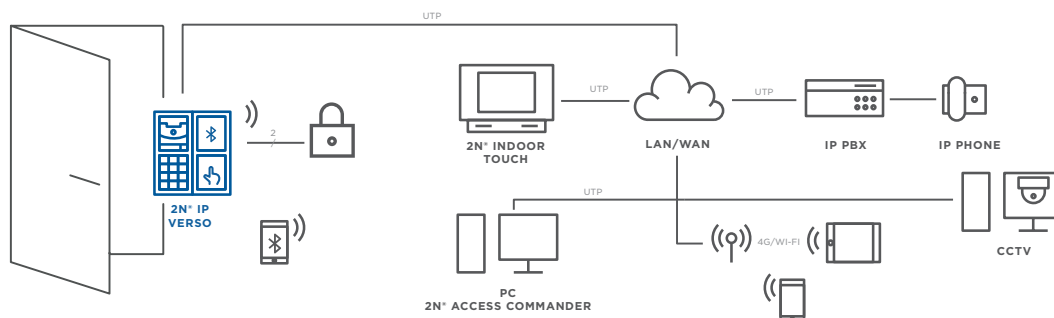
Picture to email

2N® IP Verso allows you to email snapshots of the visitor captured by the camera at the time of the call.

2N® Remote Configuration

Save time and money for onsite support thanks to our free service. Access all your devices remotely via secured cloud connection. Fastest response to your customers requests.

DIAGRAM



TECHNICAL PARAMETERS

Signalling protocol

SIP 2.0 (RFC - 3261)

Buttons

Buttons	Transparent buttons with white backlight and easily removable label
Number of buttons	1 to 146
Numeric keypad	Optional

Audio

Microphone	1 built-in microphone
Speaker	2W
Sound pressure at 1 kHz at 1 m distance	78 dB

Audio stream

Codecs	G.711, G.729, G.722, L16/16kHz
--------	--------------------------------

Camera (optional)

Resolution - JPEG	1280 x 960 px
Resolution - video call	640 x 480 px
Viewing angle	120° (H), 90° (V), 145° (D)
Night vision	Yes

Video stream

Codecs	H.263+, H.263, H.264, MJPEG, MPEG-4
--------	-------------------------------------

Bluetooth module (optional)

Bluetooth Smart technology	
Security	RSA-1024 and AES-128

Touchscreen (optional)

Buttons and keyboard functions	
Operating temperature	-20°C - 60°C
Coverage level	IK07

RFID card reader (optional)

RFID card reader	13.56MHz and 125kHz
Support for NFC	Yes, HCE and the 2N® Mobile Key application needed

Interfaces

Power supply	12V ± 15%/ 2A DC, or PoE
PoE	PoE 802.3af (Class 0 - 12.95W)
LAN	10/100BASE-TX with Auto-MDIX, RJ-45
Switch output	NC/NO contacts, max 30 V/1 A AC/DC
Active switch output	8 to 12 V DC depending on Power supply (PoE: 10 V; adapter: source voltage minus 2 V), max 400mA
Supported protocols	SIP2.0, DHCP opt. 66, ONVIF, SMTP, 802.1x, RTSP, RTP, TFTP, HTTP, HTTPS, Syslog

Mechanical properties

Operating temperature	-40°C - 60°C
Storage temperature	-40°C - 70°C
Operating relative humidity	10%-95% (non-condensing)
Coverage level	IP 54, IK08

Dimensions

Dimensions depend on configuration of the modules and installation type - see www.2n.cz for details.

SOFTWARE

2N® Mobile Video - mobile application providing video calls from the intercom to your mobile device

2N® Access Commander software - software to manage 2N IP Intercoms and access units

2N® IP Eye - an application that enriches your desk phone with video from the intercom camera

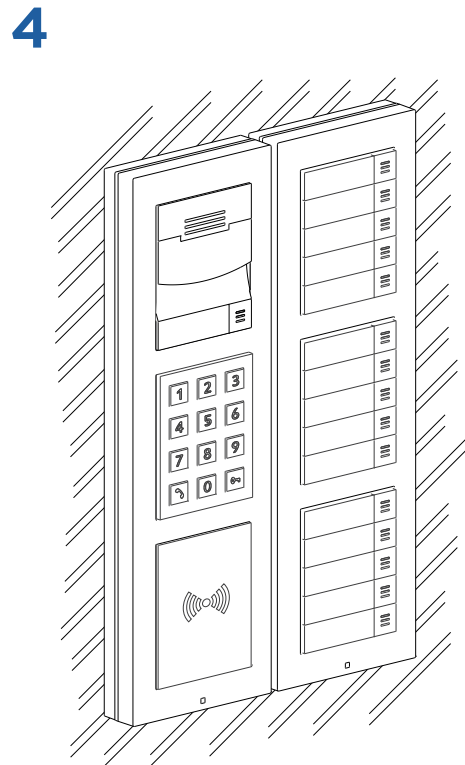
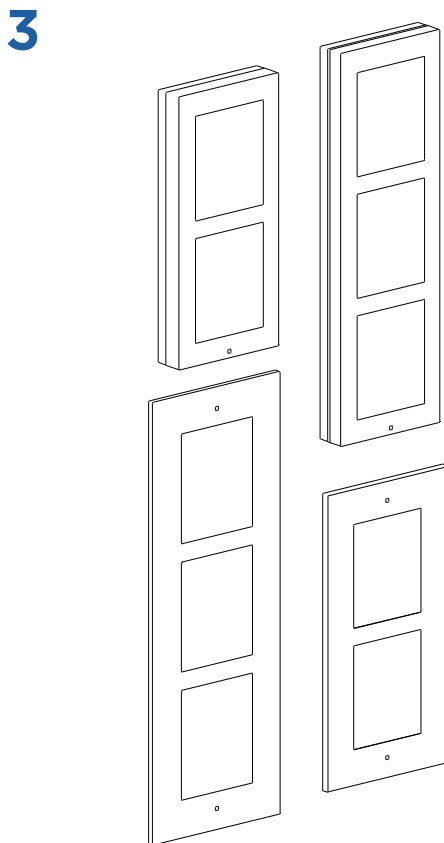
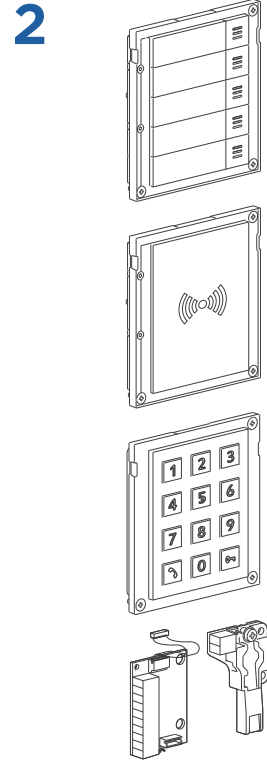
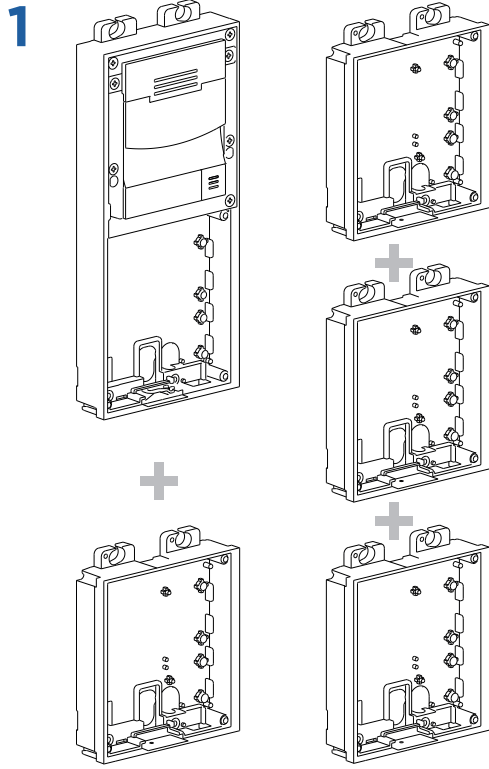
2N® Network Scanner - application for detecting 2N IP Intercoms and access control units on the network

2N® Mobile Key - an application that turns your mobile phone into an access card

Modularity

MODULARITY CLARIFIED

2N® IP Verso can be tailored to your requirements. Select the specific modules, frame and mounting box.



Modularity

MODULES



Main unit with camera
9155101CB
9155101C



Main unit without camera
9155101B
9155101



Infopanel
9155030



5 buttons
9155035



Touch Keypad & RFID Reader 125 kHz, 13.56 MHz, NFC
9155081
9155083 (secure)



Bluetooth & RFID Reader 125 kHz, 13.56 MHz, NFC
9155082
9155082 (secure)



RFID card reader 13,56 MHz 125 kHz
9155033
9155032



RFID card reader 13,56 MHz NFC
9155040
9155042 (secure)



Fingerprint reader
9155045



Keypad
9155031B
9155031



Bluetooth Reader
9155046



Touchscreen
9155036



Touch Keypad
9155047



Induction loop
9155041



Blind Panel
9155039



Wiegand
9155037



Tamper switch
9155038



I/O
9155034

FRAMES



Flush installation 1 module
9155011B
9155011



Flush installation 2 modules
9155012B
9155012



Flush installation 3 modules
9155013B
9155013



Surface installation 1 module
9155021B
9155021



Surface installation 2 modules
9155022B
9155022



Surface installation 3 modules
9155023B
9155023

● Black version
● Nickel version

ACCESSORIES

Boxes

Flush-mounting box for 1 module	9155014
Flush-mounting box for 2 modules	9155015
Flush-mounting box for 3 modules	9155016

Other

Extension cable - 1 m long	9155050
Blind button	9155051
Nametag foil	9155052

Backplates

Backplate - 1 module	9155061
Backplate - 2 modules	9155062
Backplate - 3 modules	9155063
Backplate - 2(w) x 2(h) modules	9155064
Backplate - 3(w) x 2(h) modules	9155065
Backplate - 2(w) x 3(h) modules	9155066
Backplate - 3(w) x 3(h) modules	9155067